

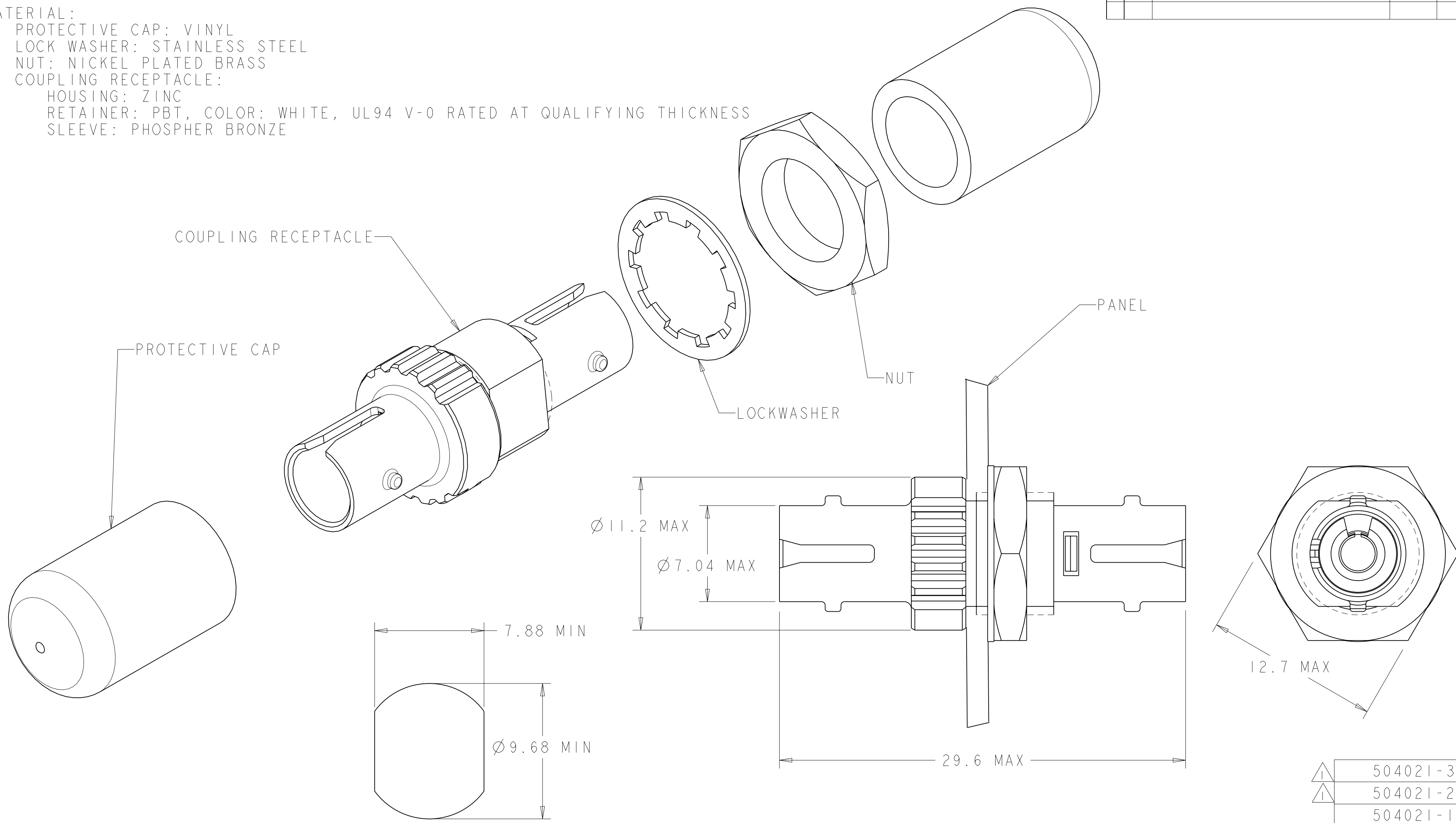
THIS DRAWING IS UNPUBLISHED. RELEASED FOR PUBLICATION 20
 © COPYRIGHT 20 BY TYCO ELECTRONICS CORPORATION. ALL RIGHTS RESERVED.

LOC DIST
 CE 00

REVISIONS				
P	LTR	DESCRIPTION	DATE	APVD
K		REVISE PER 0A00-0189-05	11MAY2005	BB SB
L		REVISE PER ECR-05-009810	02SEPT2005	BB SB

1 BULK PACKAGED.

2 MATERIAL:
 PROTECTIVE CAP: VINYL
 LOCK WASHER: STAINLESS STEEL
 NUT: NICKEL PLATED BRASS
 COUPLING RECEPTACLE:
 HOUSING: ZINC
 RETAINER: PBT, COLOR: WHITE, UL94 V-0 RATED AT QUALIFYING THICKNESS
 SLEEVE: PHOSPHER BRONZE



1	504021-3
1	504021-2
	504021-1
	PART NUMBER

SUGGESTED PANEL CUTOUT

<small>THIS DRAWING IS A CONTROLLED DOCUMENT FOR TYCO ELECTRONICS CORPORATION IT IS SUBJECT TO CHANGE AND THE CONTROLLING ENGINEERING ORGANIZATION SHOULD BE CONTACTED FOR THE LATEST REVISION.</small>		DWN B. BRIGGS 11MAY2005 CHK S. BUCHTER 11MAY2005 APVD S. BUCHTER 11MAY2005	tyco Tyco Electronics Harrisburg, PA 17105-3608
DIMENSIONS: mm 	TOLERANCES UNLESS OTHERWISE SPECIFIED: 0 PLC ± 1 PLC ± 2 PLC ± 3 PLC ± 4 PLC ± ANGLES ±	NAME KIT, COUPLING RECEPTACLE, 2.5mm BAYONET, MM/SM PRODUCT SPEC - APPLICATION SPEC - WEIGHT -	SIZE A2 CAGE CODE 00779 DRAWING NO C=504021 RESTRICTED TO - SCALE 5:1 SHEET 1 OF 1 REV L
MATERIAL	2	CUSTOMER DRAWING	